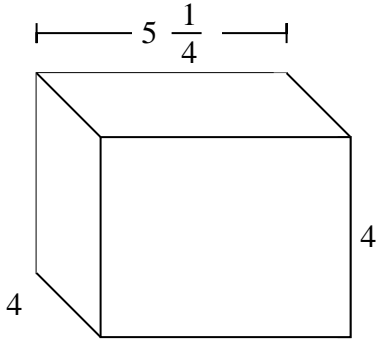


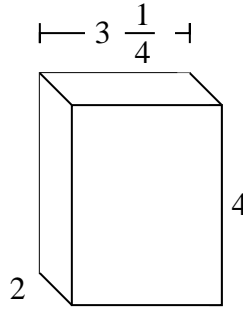


Fill each rectangular prism with cubes to determine the volume. Each prism's unit is measured in cm (not to scale).

Ex)



1)



Ex. 84 cm

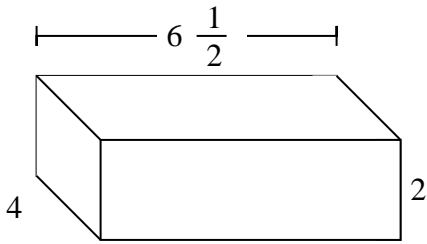
1. \_\_\_\_\_

2. \_\_\_\_\_

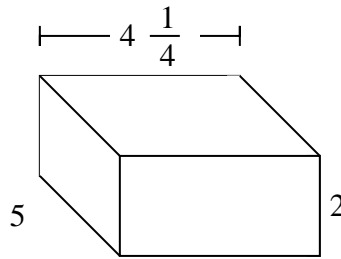
3. \_\_\_\_\_

4. \_\_\_\_\_

2)



3)

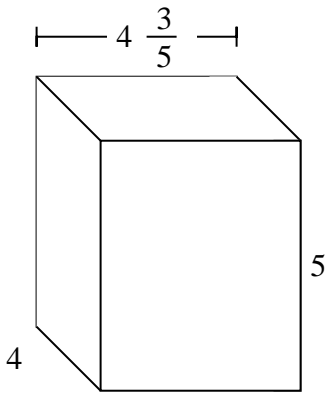


5. \_\_\_\_\_

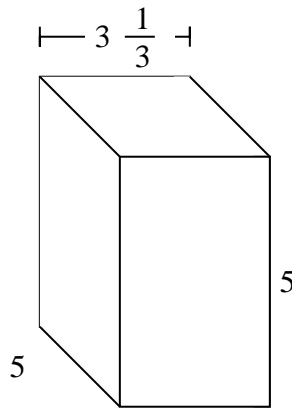
6. \_\_\_\_\_

7. \_\_\_\_\_

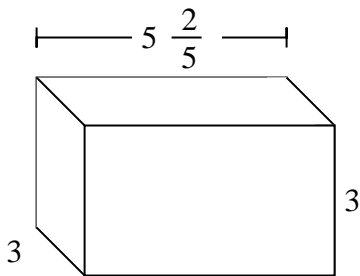
4)



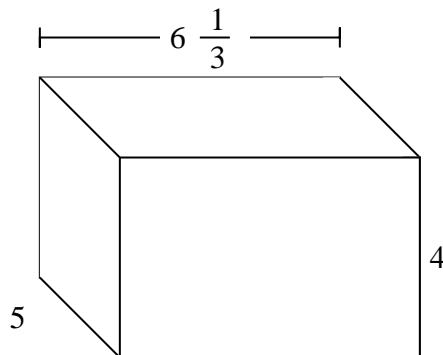
5)



6)



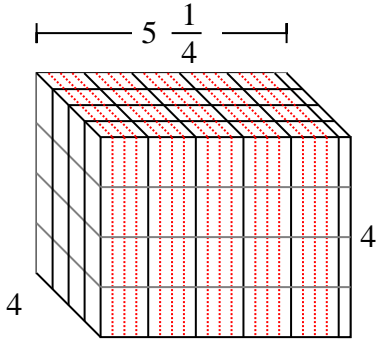
7)



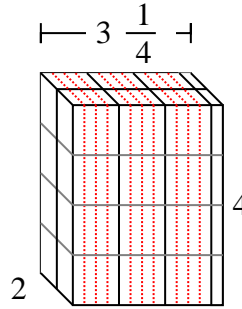


Fill each rectangular prism with cubes to determine the volume. Each prism's unit is measured in cm (not to scale).

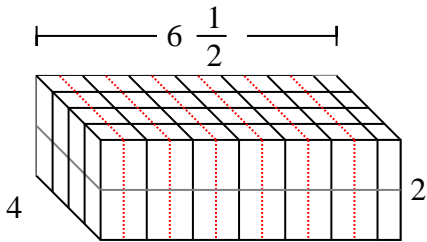
Ex)



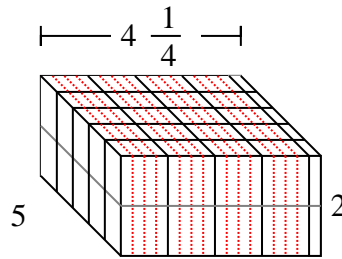
1)

Ex. 84 cm1. 26 cm2. 52 cm3.  $42 \frac{2}{4}$  cm4. 92 cm

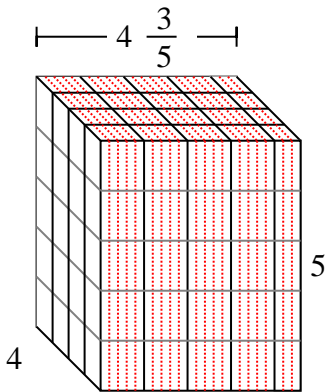
2)



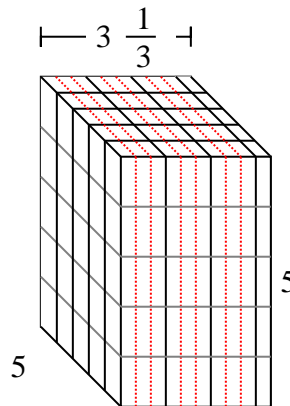
3)

5.  $83 \frac{1}{3}$  cm6.  $48 \frac{3}{5}$  cm7.  $126 \frac{2}{3}$  cm

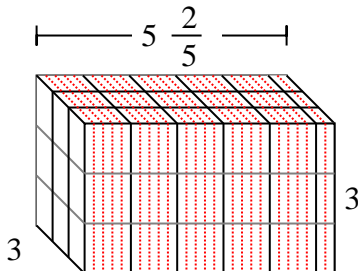
4)



5)



6)



7)

